

# RUGGED CAMS

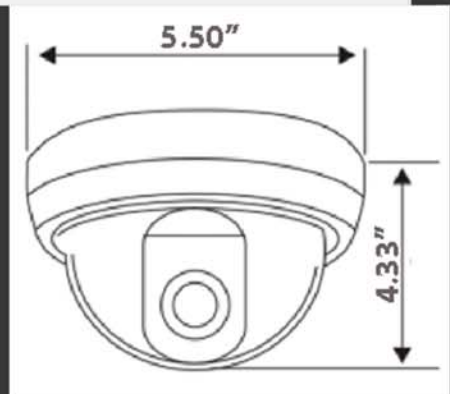
By Rugged CCTV

## Viper HD-TVI Dome Camera



**Vandalproof IR Dome Camera**  
**1/3" Panasonic 2.1 Megapixel CMOS Sensor**  
**3-Axis internal Camera Mount**  
**2.8-12mm 3 megapixel motorized varifocal lens**  
**IR distance 70 - 90 Ft with 30 IR LEDs**  
**IP 66 Weatherproof**

Image Sensor	1/3" Panasonic 2.1 megapixel CMOS Sensor
Effective Pixels	1944(H) x 1092 (V)
Scanning System	Progressive Scan
Minimum Illumination	0 Lux (LED ON)
Lens	2.8 - 12mm 3 megapixel varifocal motorized lens
IR View Distance	approx 90 feet
WDR	OFF/ON (level Adjust)
O.S.D	Built In
3D-DNR	OFF/ON (low/middle/high)
Sens-Up	OFF/ON
Motion Detection	OFF/ON
Privacy Zone	OFF/ON
HLC	OFF/ON
B.L.C Control	OFF/ON
Defog	OFF/ON
White Balance	AWB/ATW/PUSH/MANUAL
A.G.C.	Hi/Low
Electronic Shutter Speed	Auto / Manual/FLK
Video Output	HD-SDi (SMPTE 292M compatible) / 1.0Vp-p Composite Video Output, 75 Ohm
Operation temperature	-4° F - 122° F
Operation Humidity	Within 95% RH
Power supply	DC12V(+/-15%)
Dimensions	Ø5.5"(Diameter) x 4.33"(H)
Weight	1.65 lbs



© Rugged Cams™ are manufactured by Rugged CCTV. All rights reserved.

866-301-2288

www.ruggedcams.com