

RUGGED CAMS

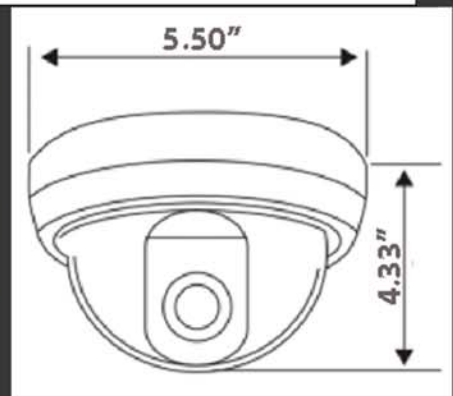
By Rugged CCTV

Viper Dome Camera



Vandalproof IR Dome Camera
1/3" Sony 960H EXview HAD CCD II 700TVL
3-Axis internal Camera Mount
2.8-12mm Manual varifocal lens
IR distance 70 - 90 Ft with 30 IR LEDs
IP 66 Weatherproof

Image Sensor	1/3" Sony 960H Super HAD CCD II	
Horizontal resolution	700 TV Lines	
TV system	NTSC/PAL	
Effective Pixels	NTSC:976(H) x 494(V) 480K Pixels	PAL:976(H) x 582(V) 570K Pixels
Minimum illumination	0Lux(IR LEDs ON)	
Lens	2.8-12mm Manual Varifocal Lens	
IR viewing distance	Around 20-30M with 30ea \varnothing 5 IR LEDs	
Sync System	Internal	
Scanning system	2:1 Interlace	
Gain Control	Auto	
O.S.D	N/A	
Gamma correction	>0.45	
White Balance	Auto	
S/N ratio	More than 50dB (AGC off)	
Electronic Shutter Speed	Auto / Manual	
	1/60~1/100,000 sec	1/50~1/100,000 sec
Video Output	1.0Vp-p Composite Video Output, 75 Ohm	
Operation temperature	-4° F - 122° F	
Operation Humidity	Within 95% RH	
Power supply	DC12V(+/-15%)	
Dimensions (mm)	\varnothing 5.5"(Diameter) x 4.33"(H)	
Weight(g)	2.65 lbs	



© Rugged Cams™ are manufactured by Rugged CCTV. All rights reserved.

866-301-2288

www.ruggedcams.com